



Aficionados among the fittings fanciers appreciate the L-shaped classic with a somewhat thinner round pipe. A mere 17 mm diameter bestows more subtlety and finesse. Anyhow one takes it not just for its pure beauty.

Design: GRUNDMANN

lever handle model
17354/17K/55Z E-SAT
prices see page 236

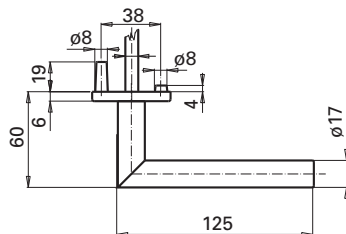


Technical details

Lever handle **model 17354**

Lever handle bearings for selection

Standards



Category of use grade 4
ÖNORM EN 1906



Fire retardant according to ÖNORM B 3859 or DIN 18273FS

Standard-Finish

E-SAT = stainless steel satin finish

Tender text

for flush door leaves made of wood

GEOS-lever handle sets (or entrance sets) with round roses, with ball bearing. Fixed-rotating-housed lever handle; anti-loosening protected and fully adjustable lever handle connection with solid square spindle. Backplates with hidden screws, suitable for profile cylinder installation (or with bit keyhole or red/white display and emergency release), finish e.g. stainless steel satin finish, e.g. z.B. GEOS 17354/17K/55Z E-SAT.

Further tender texts, advices and patterns of finishes see «Explanations», necessary ordering information see price-chapter.



window pull
model 17304V E-SAT
prices see page 243



ball knob
model 3154c/17148 E-SAT



WC-thumb turn
model 17184G E-SAT



WC red/white-display
model 17186 E-SAT

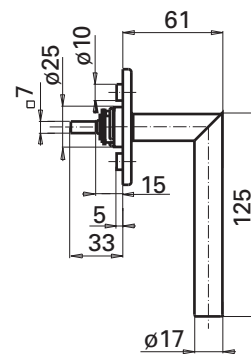
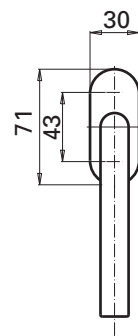
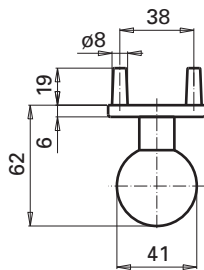
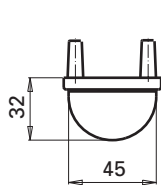
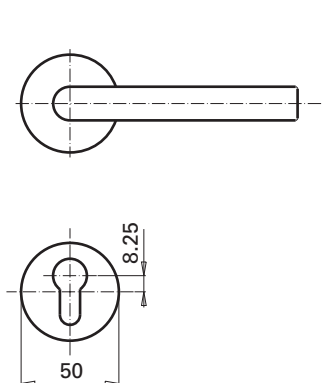
Technical details

Roses **17K** (height: 6 mm, fire retardant rose: 8 mm)

WC-thumb turn **17184G**

Ball knob **3154c**

Window pull **17304V** (rose-height: 5 mm)



GEOS-Beschläge

Entfernung E	ÖNORM	ÖN-FH	DIN	DIN92	DIN-FH	CH-NORM	CH-FH
BB	90		72			78	
PZ	88	88	72	92	72	78	78
RZ	90	90	74		74	78	78
WC (WC-Stift)	90/7		78/8*			78/8*	
Drückerstift	8,5	8,5	8	10**	9	8	9

*) mit Ausgleichshülse 7/8 Vkt., **) mit Ausgleichshülse 8/10 Vkt.